

Fiber Optic Adapter TFC-SCJ-LCJ

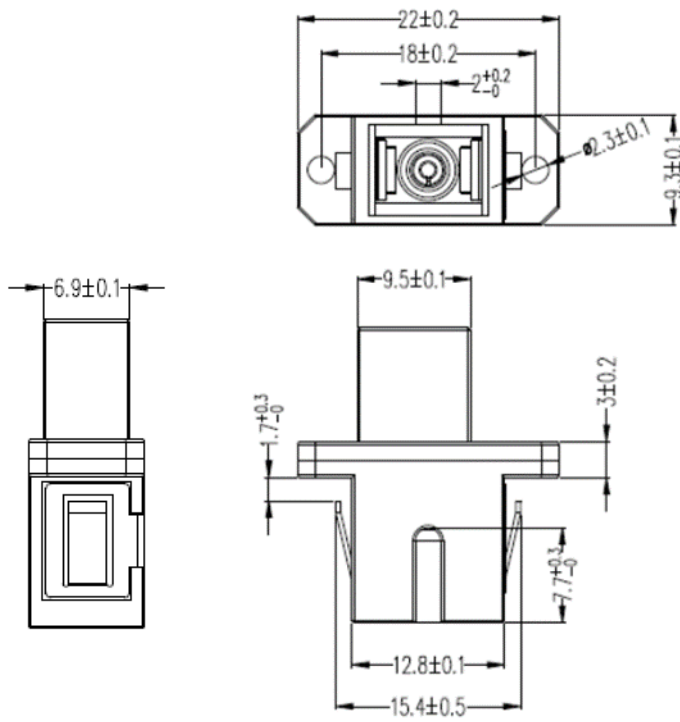
1 Specification

Data item	Specification
Model number	TFC-SCJ-LCJ
Conforming fiber	Single-mode and Multi-mode (50/125)
Screw hole	With screw holes
Split sleeve material	Zirconia
Housing Color	PC Polishing
	Blue

2 Mechanical Properties

Data item	Standard value
Insertion Loss	0.20dB (Max.)
Durability	1000 matching
	0.20dB (Max.)
Operation Temperature	-25°C+75°C
Storage Temperature	-40°C+85°C

3 Structure (Unit: mm)



4 Environmental Standards

RoHS compliant