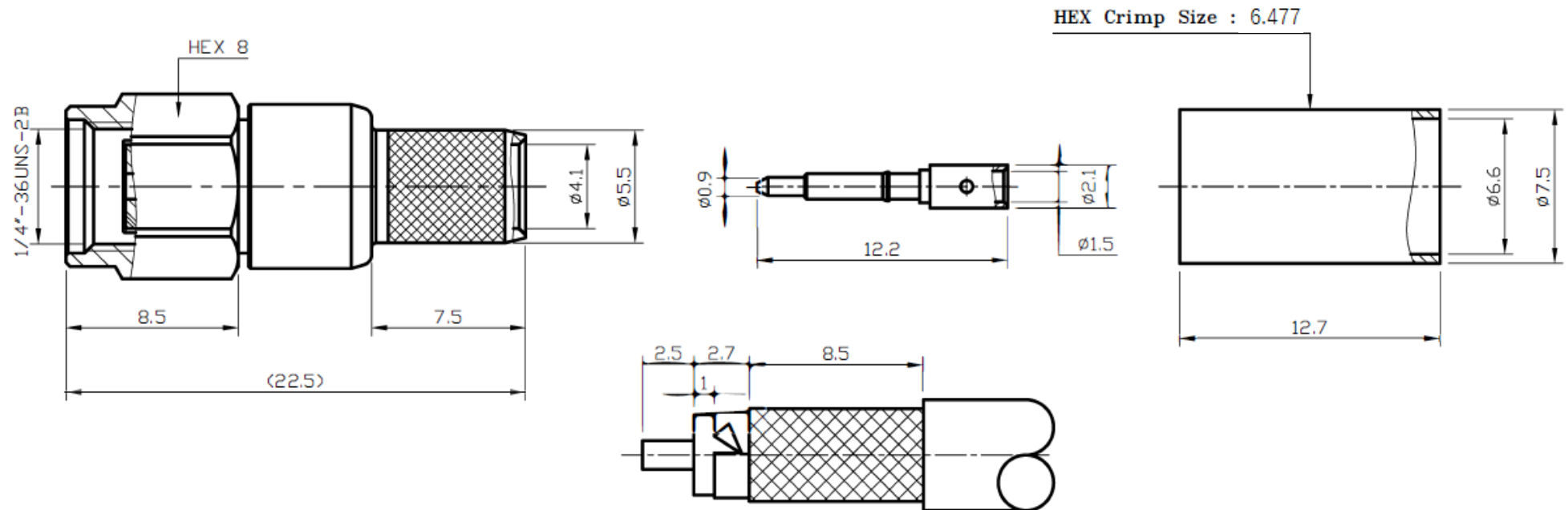


Reference Drawing



STRIP LENGTHS (REF)

R o H S Compliant Cd ≤ 75ppm
 REMARKS BRASS: Cd ≤ 75ppm PHOSPHOR
 BRONZE: Pb < 4wt%

NOMINAL IMPEDANCE: 50 ohm
 FREQUENCY RANGE: 0~6GHz
 VSWR: 1.3 MAX
 For LMR240/H155 Cable

NO	DESCRIPTION	MATERIAL	Q'TY	FINISH	SCALE
8	FERRULE	BRASS	1	GOLD	NONE
7	CENTER PIN	BRASS	1	GOLD	
6	CABLE BODY	BRASS	1	GOLD	UNIT mm
5	BODY	BRASS	1	GOLD	
4	INSULATOR	TEFLON	1	--	DATE 2025/10/20
3	INNER RETAINING RING	STAINLESS STEEL	1	--	
2	GASKET	SILICONE	1	RED	PROJECTION ① ②
1	SHELL	BRASS	1	GOLD	



TO-CONNE CO.,LTD

PART NUMBER
SMAP-LMR240A