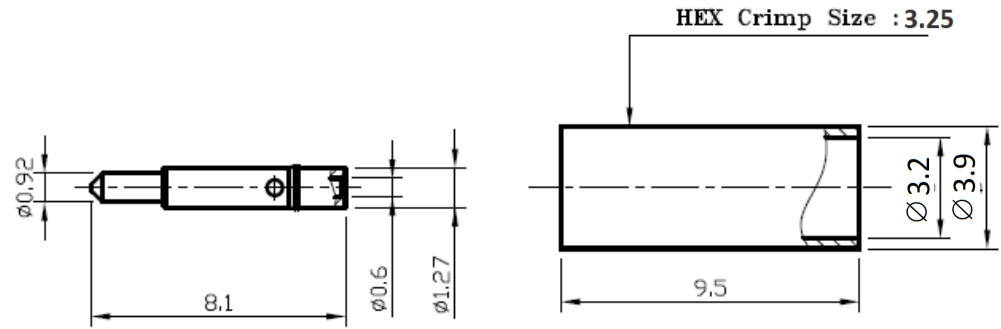
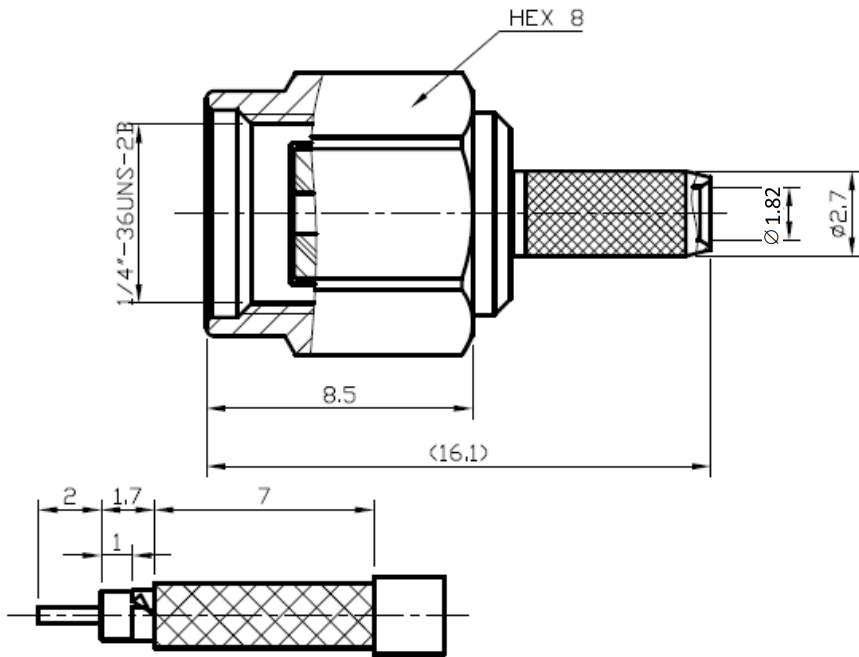


Reference Drawing



STRIP LENGTHS (REF)

NOMINAL IMPEDANCE : 50ohm
 FREQUENCY RANGE: DC - 6GHz
 VSWR : 1.3 MAX
 For Cable LMR100/HPP100/RG174LL

NO	DESCRIPTION	MATERIAL	Q'TY	FINISH
7	FERRULE	BRASS	1	GOLD
6	CENTER PIN	BRASS	1	GOLD
5	BODY	BRASS	1	GOLD
4	INSULATOR	TEFLON	1	--
3	INNER RETAINING RING	STAINLESS	1	--
2	GASKET	SILICONE	1	RED
1	SHELL	BRASS	1	GOLD

R o H S Compliant Cd ≤ 75ppm	
REMARKS	BRASS: Cd ≤ 75ppm PHOSPHOR BRONZE: Pb < 4wt%

SCALE NONE		PART NUMBER
UNIT mm		SMAP-LMR100A
DATE 2025/10/20	PROJECTION 	TO-CONNE CO.,LTD