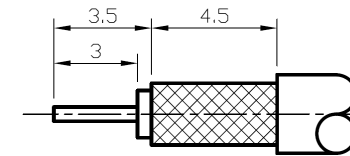
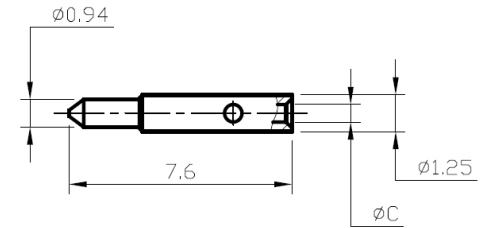
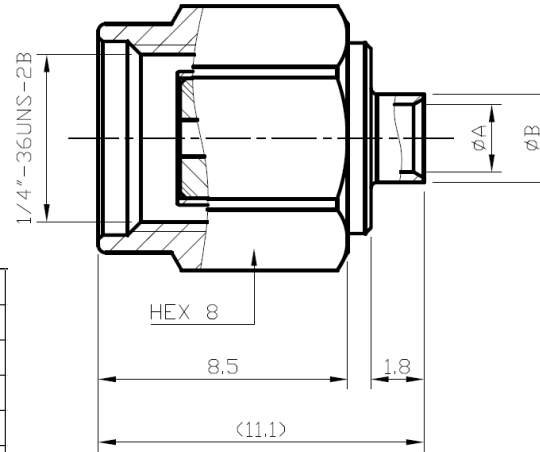


# Reference Drawing



**EB  
STRIP LENGTHS (REF)**

Items	Specs	Remarks
Impedance	50 Ω	
Frequency Range	DC~18 GHz	
V.S.W.R	≅ 1.3	
Working Voltage	AC 500V	
Dielectric Withstanding Voltage	AC 1,000V	1 min
Insulation Resistance	≅ 5,000MΩ	
Contact Resistance	Center Contact ≅ 5.0mΩ	
	Outer Contact ≅ 2.5mΩ	
Mating	Screw-on	1/4"-36 threaded
Durability	≅ 100 matings	For Phosphor Bronze Female Contact Only
	≅ 500 matings	For Beryllium Copper Female Contact Only
Temperture Range	-65°C~165°C	

CABLE	A	B	C
SS405/RG405/SEMI-RIGID.085/SEMI-FLEXIBLE .085	φ2.3	φ3.0	φ0.6

NOTE 1 : GOLD 1u" MIN OVER NICKEL 80u" MIN

NO	DESCRIPTION	MATERIAL	Q'TY	FINISH
06	CENTER PIN	BRASS(C3604)	1	NOTE 1
05	BODY	BRASS(C3604)	1	NOTE 1
04	INNER RETAINING RING	STAINLESS STEEL(SUS304)	1	---
03	GASKET	SILICONE	1	---
02	INSULATOR	TEFLON	1	---
01	SHELL	BRASS(C3604)	1	NOTE 1

R o H S Compliant <span style="border: 1px solid black; padding: 2px;">Cd ≦75ppm</span>	
REMARKS	BRASS: Cd ≦75ppm PHOSPHOR BRONZE: Pb <4wt%

SCALE  
NONE

UNIT  
mm

DATE  
2025/05/28



TO-CONNE CO.,LTD

PART NUMBER

**SMAP-085EB**