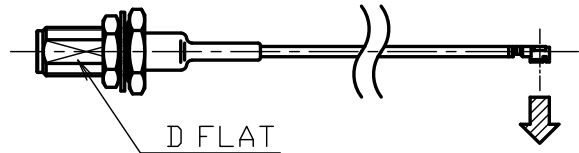


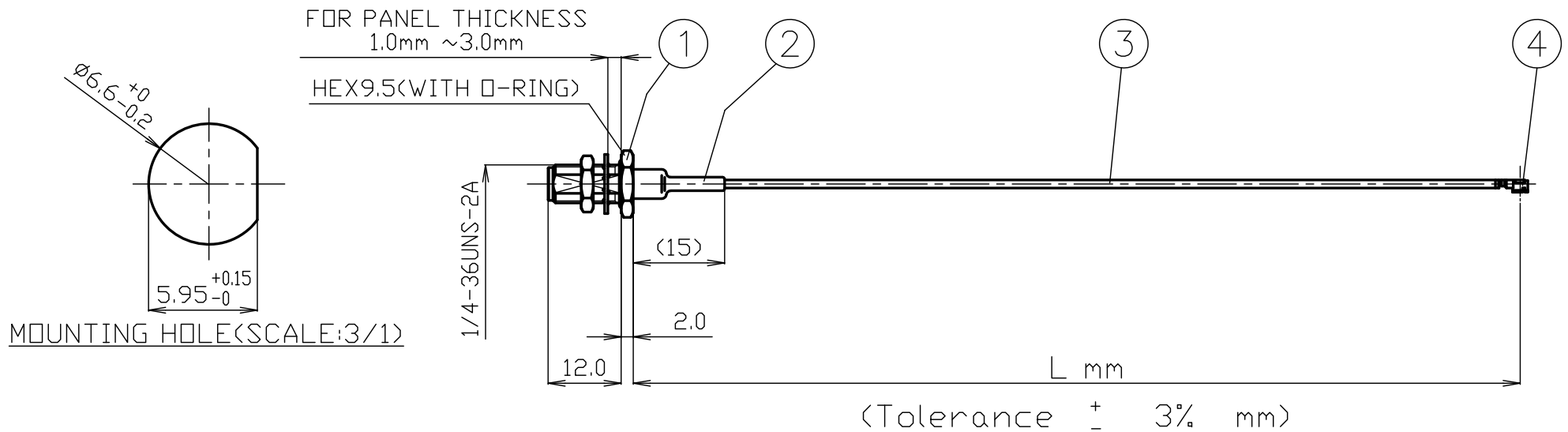
ATTENTION MHF I CONNECTOR ORIENTATION



The mating part of the MHF I connector must face down with respect to the D flat of the SMA connector as shown in the figure.

REMARK	PACKAGE
	ROLL *1
	PACKING INSTRUCTION: Y · (N)
	CONNECTOR PROTECTION
	BUBBLE WRAP: Y · (N)
	PE CAP: Y · (N)

*1: Items less than 1 meter will be packaged separately



■ Part number is specified by length.
Please specify the length(L) in "m".
◎ Minimum length: 40mm
Ex: L = 0.15m → SMABJAU0.15MHFI-1.32

- *1: MHF I PLUG(AU TYPE) , 20278-112R-32
- *2: RF Mini 32AWG 1.32mm
- *3: WONDERFUL HI-TECH

RoHS Compliant

6						SCALE	DRAWN	INSPECTED	APPROVED	CHECKED	PART NUMBER
5						1/1	渡邊	檜	山	三	
4	MHF I CONNECTOR	*1	1	I-PEX	BODY/Au. CENTER PIN/Au	UNIT	'24.07.23	'24.07.23	'24.07.23	'24.07.23	DRAWING NUMBER
3	COAXIAL CABLE	*2	1	*3	COLOR:BLACK	mm	直弘	澤	本	村	
2	HEAT SHRINK TUBE(WITH GLUE)	--	1	--	COLOR:BLACK	DATE	PROJECTION				
1	SMA CONNECTOR	SMA-BJ-0.66AS(Au)	1	TO-CONN	BODY/Au. CENTER PIN/Au	2024.07.23					
NO.	DESCRIPTION	PART NUMBER	Q'TY	MANUFACTURER	FINISH						