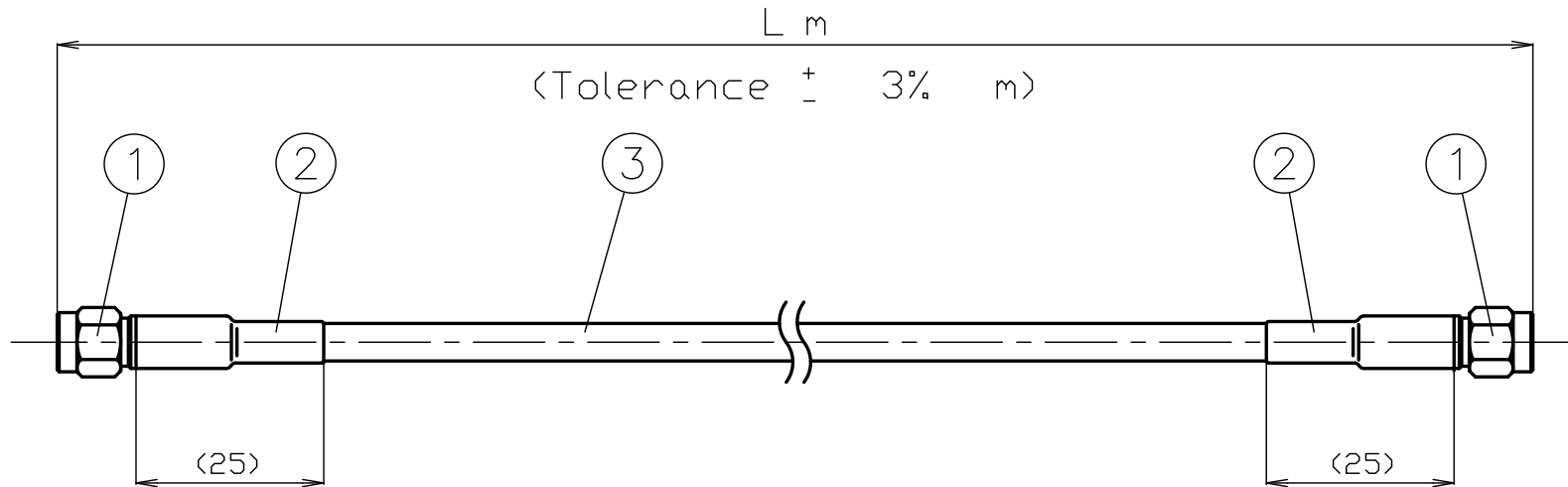


REMARK	PACKAGE
	ROLL *1
	PACKING INSTRUCTION: Y · (N)
	CONNECTOR PROTECTION
	BUBBLE WRAP: Y · (N)
	PE CAP: Y · (N)

*1: Items less than 1 meter will be packaged separately



The symbol * mark in the product name represents the value of the length and is specified each time.
 Ex: L = In case of 3m → SAP3WRG58
 Ex: L = In case of 5m → SAP5WRG58

※USE LEAD(Pb) FREE SOLDER: Sn-3.0Ag-0.5Cu

RoHS Compliant

6						SCALE	1/1	DRAWN	INSPECTED	APPROVED	CHECKED	PART NUMBER
5								グエン	檜	山	三	SAP * WRG58
4								'24,08,22	'24,08,22	'24,08,22	'24,08,22	
3	COAXIAL CABLE	RG-58A/U	1	FUJIKURA DIA CABLE	COLOR: BLACK	UNIT	mm	テイエン	澤	本	村	DRAWING NUMBER
2	HEAT SHRINK TUBE(NO GLUE)	--	2	--	COLOR: BLACK							SH-3129
1	SMA-TYPE CONNECTOR	SMAP-58A-K	2	TO-CONN	BODY/Ni. CENTER PIN/Au	DATE	2024.08.22	PROJECTION				
NO.	DESCRIPTION	PART NUMBER	Q'TY	MANUFACTURER	FINISH							