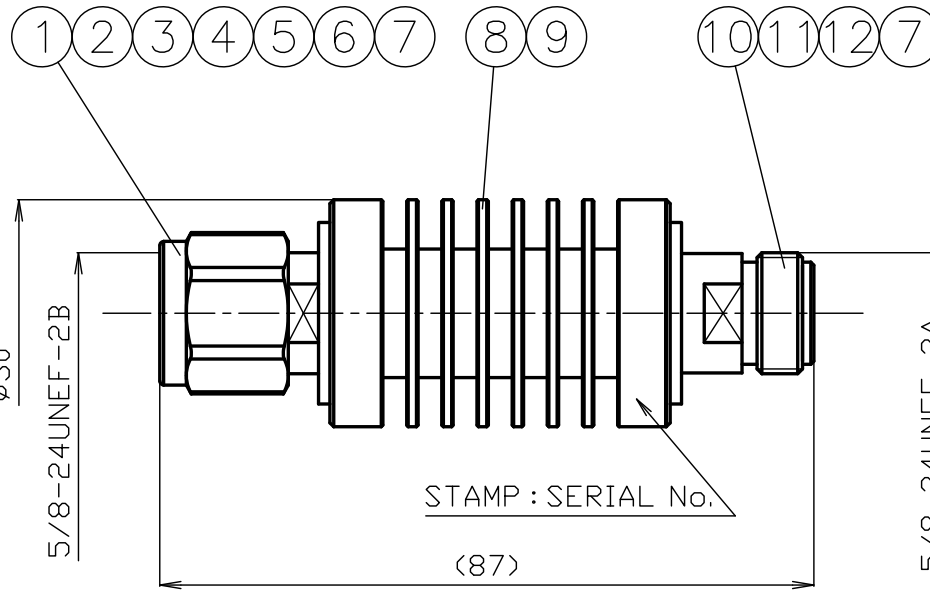
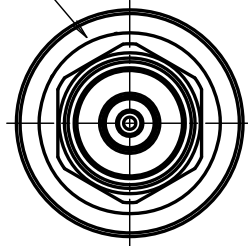
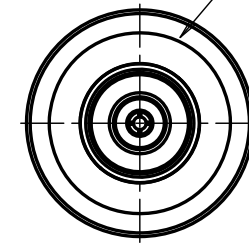


STAMP : 10W TYC 10dB IN



STAMP : OUT



- *1 : TERNARY PLATING
- *2 : ANODIZING<BLACK>
- *3 : STAINLESS STEEL
- *4 : PHOSPHOR BRONZE

NO.	DESCRIPTION	MATERIAL	Q'TY	FINISH	REMARK
12	INSULATOR B	PTFE	1	--	
11	CENTER PIN B	*4	1	Au	
10	BODY B	BRASS	1	*1	
9	ATTENUATION TERMINAL	--	1	--	
8	HEAT SINK	ALUMINUM	1	*2	
7	O-RING	SILICONE	2	--	
6	INSULATOR A	PTFE	1	--	
5	CENTER PIN A	*4	1	Au	
4	GASKET	SILICONE	1	--	
3	BODY A	BRASS	1	*1	
2	HOLDING RING	*3	1	--	
1	COUPLING NUT	BRASS	1	*1	

RoHS Compliant

SCALE 1/1	DRAWN 井 '23,12,15 出	INSPECTED 檜 '23,12,15 澤	APPROVED 山 '23,12,15 本	CHECKED 三 '23,12,15 村	PART NUMBER NPJ50AT6G10W-10dB
UNIT mm	PROJECTION ① ②				DRAWING NO. W-0595941
DATE 2023.12.15	株式会社 トーコン TO-CONN CO., LTD.				GKQM-22

PRODUCT SPECIFICATIONS

Part No. NPJ50AT6G10W-10dB

No. 0592342

DWG No. W-0595941

Nominal 1 Standard JIS C 5411
 2 Power handling 10W
 3 Frequency range 6GHz
 4 Impedance 50Ω
 5 [OPR]Temp-Range -45°C~+85°C



		Test Items	Procedures/Test method	Requirements
DESIGN	1	Design & construction	Specified on relevant product drawing (DWG No. W-0595941)	No defects or abnormalities
	2	Materials		
	3	Finishes		
ELECTRICAL	4	Attenuation	DC~6GHz	10±0.8dB
	5	V. S. W. R	DC~3GHz	1.2 (Max.)
			3~6GHz	1.3 (Max.)
MECHANICAL	6	Compatibility	Connecting with a standard-compliant connector	No defects or abnormalities
	7	Tensile strength of coupling mechanism	At axial tensile force 300N	No defects or abnormalities
	8	Connection nut tightening torque	0.9~1.7N·m	No defects or abnormalities
ENVIRONMENTAL	9	Waterproof	IPX7	No water ingress inside the connector

	Remarks	Date
1		
2		
3		

Checked	Approved	Inspected	Prepared
三 21.11.22 村	山 21.11.22 本	檜 21.11.22 澤	渡邊 21.11.22 直弘