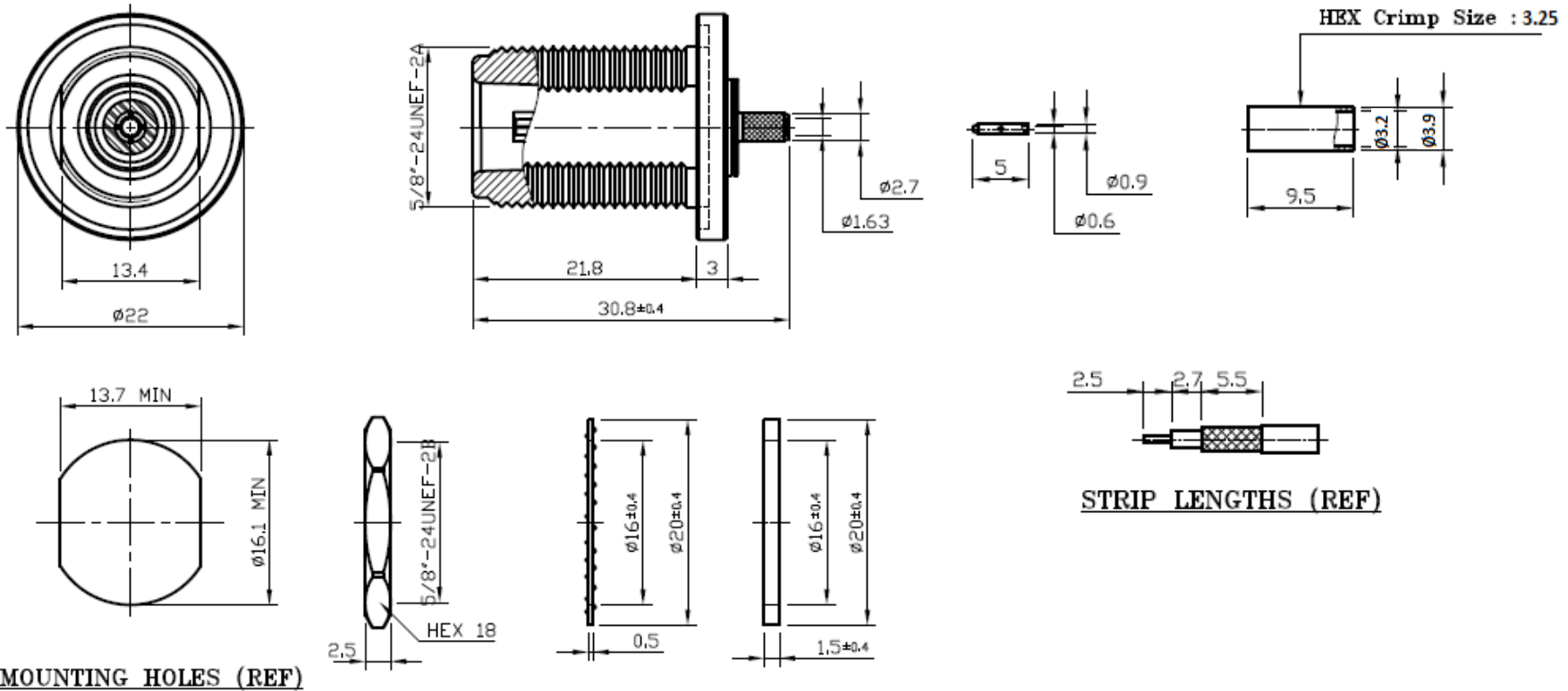


Reference Drawing



NO	DESCRIPTION	MATERIAL	QTY	FINISH
9	NUT	BRASS	1	NICKEL
8	WASHER	BRASS	1	NICKEL
7	GASKET	SILICONE	1	RED
6	FERRULE	BRASS	1	NICKEL
5	BULLET CONTACT	BRASS	1	GOLD
4	CABLE BODY	BRASS	1	NICKEL
3	BODY	BRASS	1	NICKEL
2	INSULATOR	TEFLON	1	---
1	CENTER PIN	PHOSPHOR BRONZE	1	GOLD

NOMINAL IMPEDANCE : 50ohm
 FREQUENCY RANGE: DC~6GHz
 VSWR : 1.3 MAX
 For Cable RG316 / RG174 / RG188

R o H S Compliant Cd ≤ 75ppm	
REMARKS	BRASS: Cd ≤ 75ppm PHOSPHOR BRONZE: Pb < 4wt%

SCALE NONE		PART NUMBER
UNIT mm		N-BJ-174A
DATE 2025/10/06	PROJECTION 	TO-CONNE CO.,LTD