

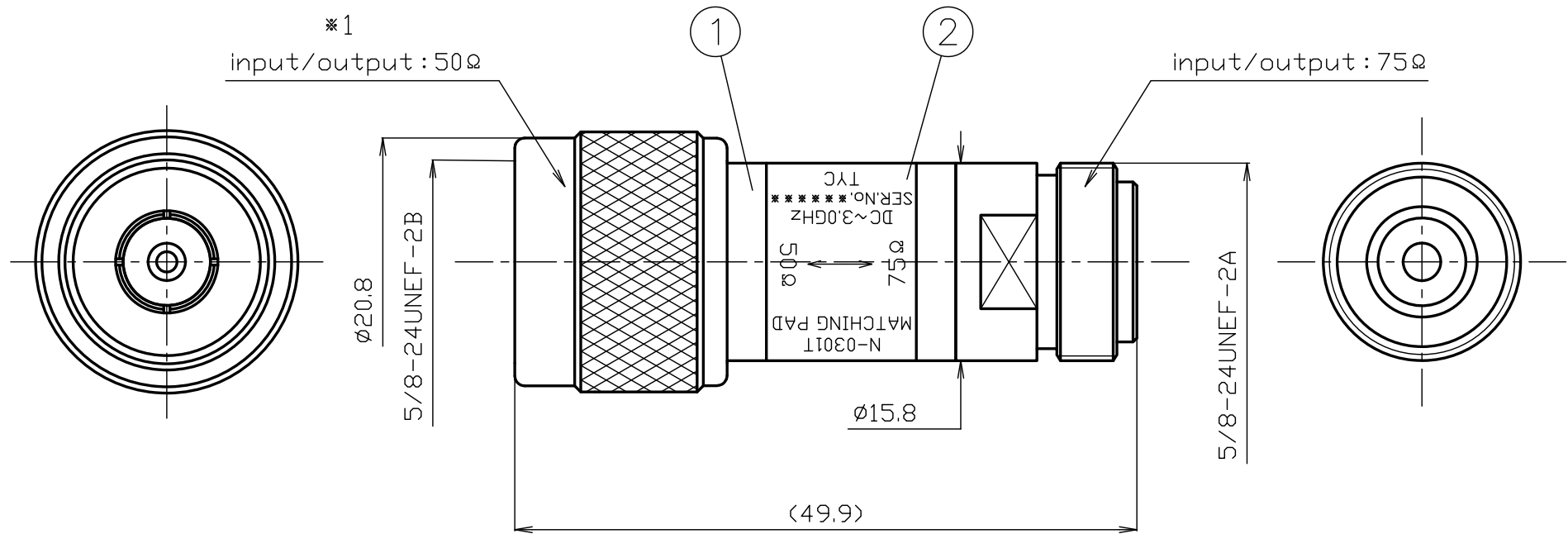
DIMENSIONAL TOLERANCE TABLE	
DIVISION	TOLERANCE
Less than 4.0	±0.3
4.0~16.0	±0.5
16.0~63.0	±0.7
63.0~250.0	±1.2
250.0~1000.0	±2.0

UNIT : mm

*1

input/output : 50Ω

input/output : 75Ω



RoHS Compliant [Cd ≤75ppm]	
REMARKS	BRASS: Cd ≤75ppm PHOSPHOR BRONZE: Pb <4wt%

NO.	DESCRIPTION	MATERIAL	Q'TY	FINISH	REMARK	DATE	PROJECTION	DRAWN	INSPECTED	APPROVED	CHECKED	PART NUMBER
7						SCALE						
6						2/1						
5						TOLERANCE						
4						*1		上	檜	山	三	
3						UNIT		'24.05.17	'24.05.17	'24.05.17	'24.05.17	N-0301T
2	LABEL	-----	1	--		mm		領	澤	本	村	
1	N TYPE IMPEDANCE CONVERTER	-----	1	--	BODY/Ni, CENTER PIN/Au	DATE						
						2024.04.24						
							PROJECTION					DRAWING NO. W-0596410

株式会社 トーコネ
TO-CONNE CO., LTD.

PRODUCT SPECIFICATIONS

Part number: N-0301T

No. 0592587

Drawing number: W-0596410

Nominal 1 Standard	JIS C 5411(N50Ω)、IEC 169-16(N75Ω)
2 Power handling	0.5W
3 Rated frequency	3GHz
4 Impedance	50Ω←→75Ω
5 Operating temperature	-10°C~+40°C
6 Storage temperature	0~90%RH ※No condensation



		Test Items	Test Method/Value	Remarks
1 E L E C T R I C A L		V.S.W.R.	DC~3GHz : 1.2(Max.)	
		Insertion loss	DC~2GHz : 5.7±0.5dB 2GHz~3GHz : 5.7±0.7dB	
5 M E C H A N I C A L		Compatibility	No defects or abnormalities	Connecting with a standard-compliant connector
10 O T H E R S				

※The structural shape is shown in the attached drawing (Drawing number:W-0596410)

	REVISIONS	DATE
1		
2		
3		

Checked	Approved	Inspected	Prepared
 24.05.17 村	 24.05.17 山本	 24.05.17 榎澤	 24.05.17 渡邊直弘