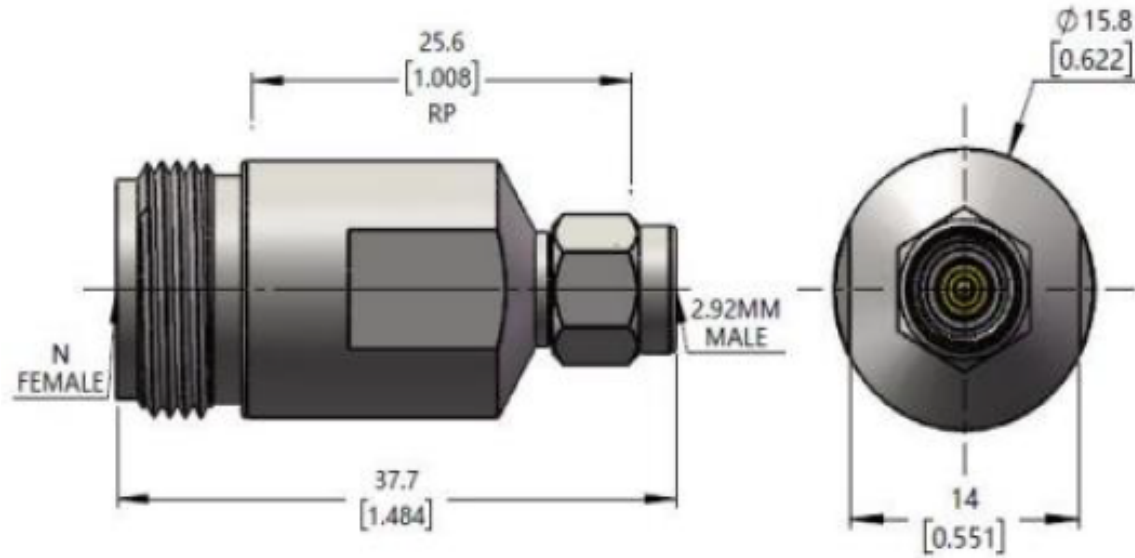


Reference Drawing



Electrical & Environmental Characteristics	
Impedance	50 Ohm
Insulation Resistance	5000 MΩ
Operating Frequency	DC-18GHz
Dielectric Withstanding Voltage	1000V
VSWR	1.15 typ
Insertion Loss	$\leq 0.05 * \sqrt{f_GHz}$
Operating Temperature	-55~+165°C

Material & Coat-Plating	
Inner Conductor	Beryllium Copper, Gold
Dielectric	PEI
Body/Nut	Stainless Steel, Passivated

R o H S Compliant Cd ≤75ppm	
REMARKS	BRASS: Cd ≤75ppm PHOSPHOR BRONZE: Pb <4wt%

SCALE NONE		PART NUMBER
UNIT mm		K292P-NJ
DATE 2026/02/10	PROJECTION 	TO-CONNE CO.,LTD