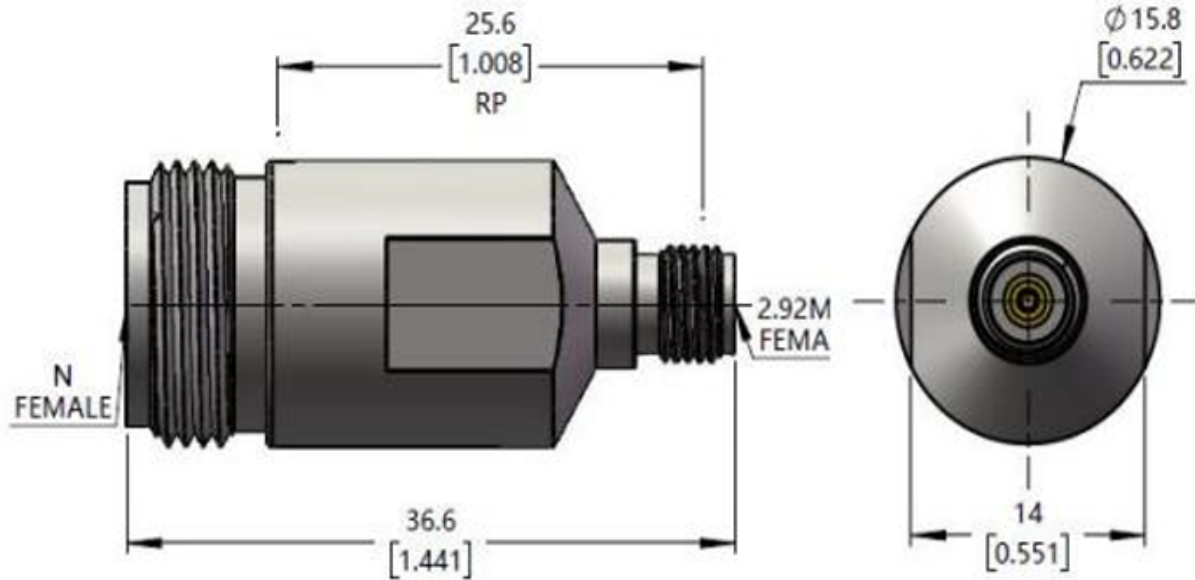


Reference Drawing



Electrical & Environmental Characteristics	
Impedance	50 Ohm
Insulation Resistance	5000 MΩ
Operating Frequency	DC-18GHz
Dielectric Withstanding Voltage	1000V
VSWR	1.15 typ
Insertion Loss	$\leq 0.05 * \text{Sqrt}(f_GHz)$
Operating Temperature	-55~+165°C
Material & Coat-Plating	
Inner Conductor	Beryllium Copper, Gold
Dielectric	PEI
Body	Stainless Steel, Passivated

R o H S Compliant Cd \leq 75ppm	
REMARKS	BRASS: Cd \leq 75ppm PHOSPHOR BRONZE: Pb < 4wt%

SCALE NONE		PART NUMBER
UNIT mm		K292J-NJ
DATE 2026/02/10	PROJECTION 	TO-CONNE CO.,LTD