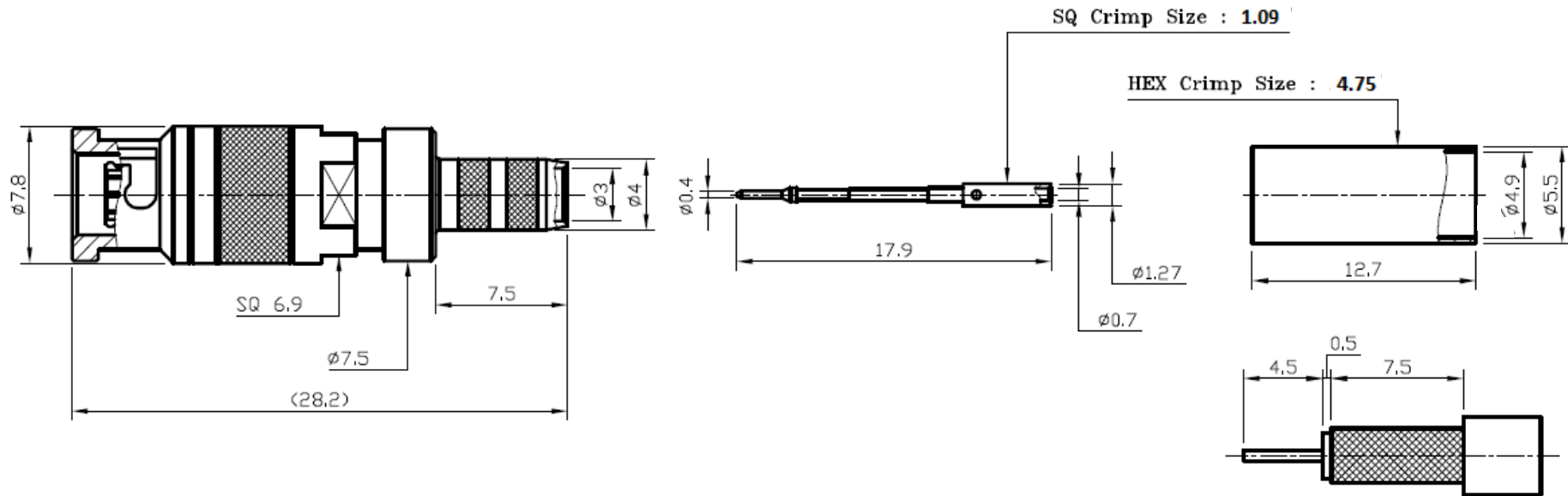


# Reference Drawing



**REFERENCE STRIP LENGTHS**

★FULLY COMPATIBLE WITH HD/MICRO BNC ★

NOMINAL IMPEDANCE: 75Ω  
 FREQUENCY RANGE: 0 ~ 12GHz  
 VOLTAGE RATING: 500V RMS  
 INSULATOR RESISTANCE: ≥5000MΩ  
 DIELECTRIC WITHSTANDING VOLTAGE: 1000V RMS  
 CONTACT RESISTANCE: CENTER CONTACT ≤ 3.0mΩ  
 CONTACT RESISTANCE: OUTER CONTACT ≤ 2.5mΩ  
 For 1855A/4855R Cable

NO	DESCRIPTION	MATERIAL	Q'TY	FINISH
11	FERRULE	BRASS	1	NICKEL
10	CENTER PIN	BERYLLIUM COPPER	1	GOLD
09	CABLE BODY	BRASS	1	NICKEL
08	INSULATOR	TEFLON	1	---
07	SHELL B	BRASS	1	NICKEL
06	WASHER B	STAINLESS STEEL	2	PASSIVATED
05	SPRING	SWP	1	NICKEL
04	WASHER A	BRASS	1	NICKEL
03	GASKET	SILICONE	1	RED
02	BODY	BRASS	1	NICKEL
01	SHELL A	BRASS	1	NICKEL
NO	DESCRIPTION	MATERIAL	Q'TY	FINISH

RoHS Compliant		Cd ≤ 75ppm
REMARKS	BRASS: Cd ≤ 75ppm PHOSPHOR BRONZE: Pb < 4wt%	

SCALE NONE		PART NUMBER
UNIT mm		H-BNCP-1855A
DATE 2025/08/26	PROJECTION 	TO-CONNE CO.,LTD