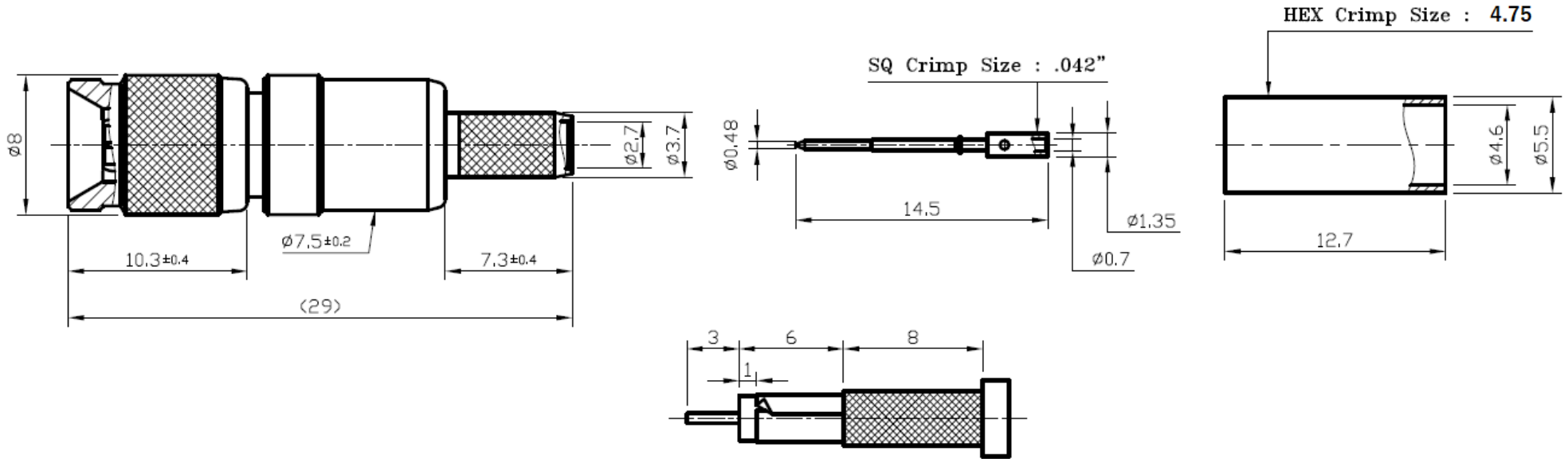


# Reference Drawing



NOMINAL IMPEDANCE : 75Ω  
 FREQUENCY RANGE : DC ~ 6GHz  
 VSWR : 1.5 MAX  
 For 1855A/4855R Cable

STRIP LENGTHS (REF)

08	FERRULE	BRASS	1	NICKEL
07	CENTER PIN	BRASS	1	GOLD
06	BODY	BRASS	1	NICKEL
05	BODY	BRASS	1	NICKEL
04	INSULATOR	TEFLON	1	--
03	BODY	PHOSPHOR BRONZE	1	GOLD
02	WASHER	BERYLLIUM COPPER	1	NICKEL
01	SHELL	BRASS	1	NICKEL
NO	DESCRIPTION	MATERIAL	Q'TY	FINISH

R o H S Compliant <span style="border: 1px solid black; padding: 2px;">Cd ≤75ppm</span>	
REMARKS	BRASS: Cd ≤75ppm PHOSPHOR BRONZE: Pb <4wt%

SCALE NONE		PART NUMBER
UNIT mm		DIN1023P-1855A
DATE 2025/08/26	PROJECTION 	TO-CONNE CO.,LTD