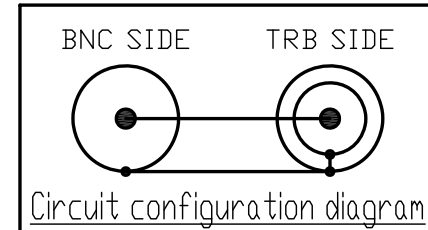
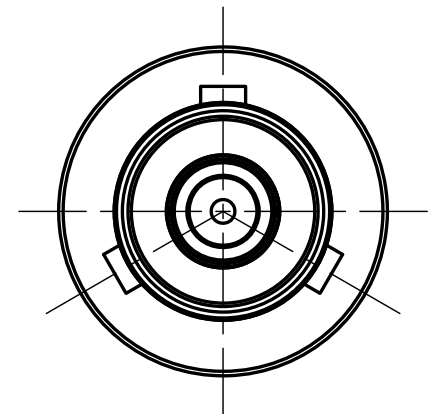
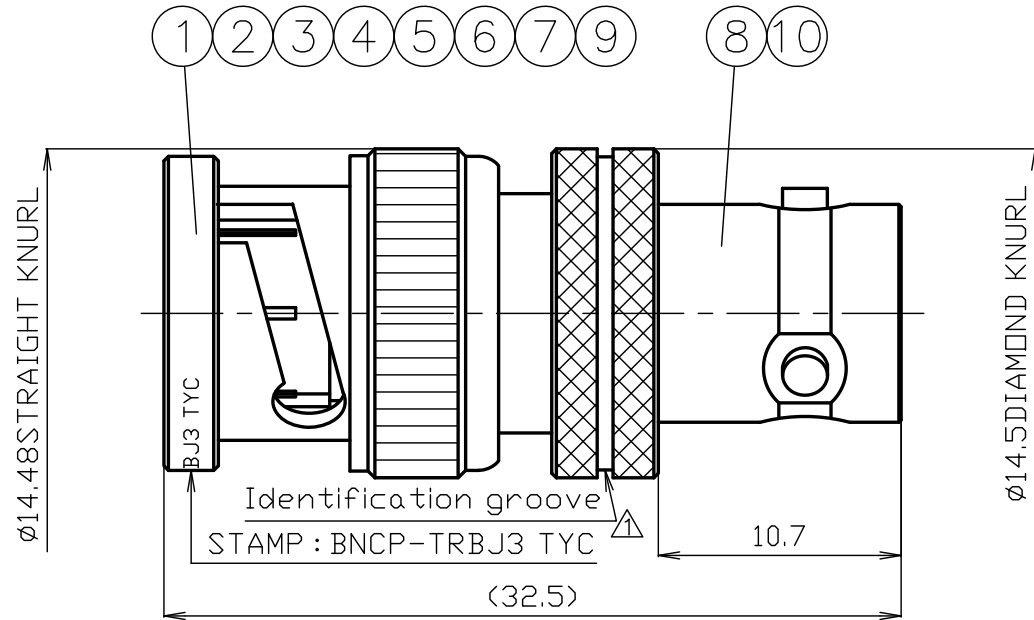


NO.	REVISION	DATA	CHECKED
△	識別溝追加	2024.09.30	(出本)
△			
△			
△			
△			



* BERYLLIUM COPPER

NO.	DESCRIPTION	MATERIAL	Q'TY	FINISH	REMARK
10	OUTER CONTACT	BRASS	1	Au	
9	INSULATOR A	PTFE	1	--	
8	BODY	BRASS	1	Ni	
7	FLAT WASHER	BRASS	1	Ni	
6	WAVE WASHER	SK5	2	Ni	
5	HALF FLAT WASHER	BRASS	2	Ni	
4	GASKET	SILICONE	1	--	
3	INSULATOR B	PTFE	1	--	
2	CENTER PIN	*	1	Au	
1	SHELL	BRASS	1	Ni	

RoHS Compliant [Cd ≤75ppm]
 REMARKS BRASS: Cd ≤75ppm
 PHOSPHOR BRONZE: Pb <4wt%

SCALE	3/1	DRAWN	INSPECTED	APPROVED	CHECKED	PART NUMBER
UNIT	mm	井 '24.09.30 出	石 '24.09.30 川	檜 '24.09.30 澤	三 '24.09.30 村	BNCP-TRBJ3
DATE	2024.05.20	PROJECTION		株式会社 トーコン TO-CONN CO., LTD.		DRAWING NO. K-1046480

PRODUCT SPECIFICATIONS

Part number: **BNCP-TRBJ3** No. 0642688
 Drawing number: **K-1046480**
 Nominal 1 Standard **MIL-C-39012(BNC)**
MIL-PRF-49142(TRB)
 2 Voltage rating **AC 500V**
 3 Impedance **Mismatch**
 4 Operating temprure range **-40°C~+85°C**
 5 Operating humidity range **95%(Max.) ※No condensation**



	Test Items	Test Method/Value	Remarks
1 E L E C T R I C A L	Insulation resistance	1000MΩ(Min.) at DC 250V	
	Withstanding voltage	1 minute at AC 500V	
	Contact resistance	Inner conductor : 3mΩ(Max.) Intermediate conductor : 0.5mΩ(Max.)(TRB) Outer conductor : 1mΩ(Max.)(TRB) Outer conductor : 3mΩ(Max.)(BNC)	
4 M E C H A N I C A L	Compatibility	No defects or abnormalities	Connecting with a standard-compliant connector
	Tensile strength of coupling mechanism	250N(BNC) 444.82N(TRB)	At axial tensile force
	Center contact retaining force	0.56N(Min.)(TRB)	With a standard pin gauge
O T H E R S			

※The structural shape is shown in the attached drawing (Drawing number:K-1046480)

	REVISIONS	DATE
1		
2		
3		

Checked	Approved	Inspected	Prepared

GKQM-24