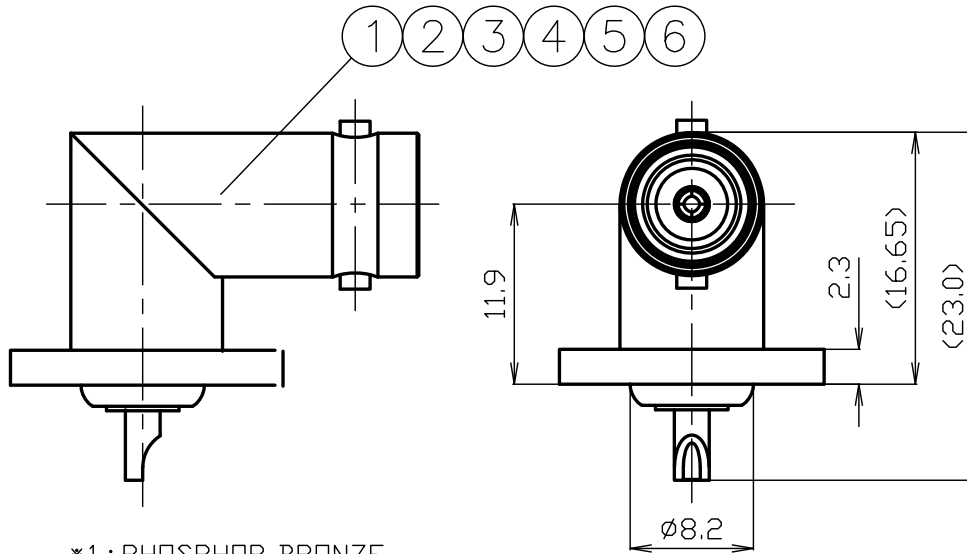
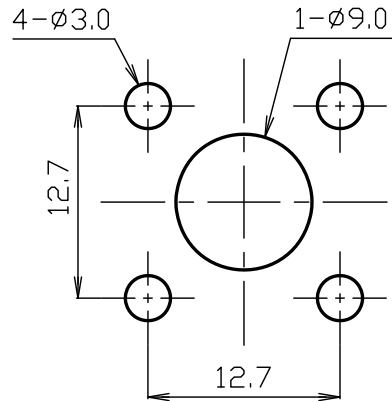


△ MOUNTING HOLE



*1: PHOSPHOR BRONZE

番号	変更・記事	日付	確認
△	Ag → Au 変更	2024.10.10	(山本)
△	MOUNTING HOLE 追記	2024.10.10	(山本)

RoHS Compliant [Cd ≤ 75ppm]	
REMARKS	BRASS: Cd ≤ 75ppm PHOSPHOR BRONZE: Pb < 4wt%

NO.	DESCRIPTION	MATERIAL	Q'TY	FINISH	REMARK	SCALE	DRAWN	INSPECTED	APPROVED	CHECKED	PART NUMBER
7						2/1	上	檜	山	三	BNC-LR
6	BUSHING	BRASS	1	Ni		'24.10.10	'24.10.10	'24.10.10	'24.10.10		
5	CENTER PIN A	*1	1	Au	△		領	澤	本	村	
4	INSULATOR B	PTFE	1	--		UNIT					
3	INSULATOR A	PTFE	1	--		mm					
2	CENTER PIN B	BRASS	1	Au	△	DATE					
1	BODY	BRASS	1	Ni		2024.03.04	PROJECTION				
							①	②	③	④	DRAWING NO. S-0330475-2



PRODUCT SPECIFICATIONS

Part number: BNC-LR

No. 0331050

Drawing number: S-0330475-2

Nominal 1 Standard IEC Pub. 169-8 Type BNC

2 Voltage rating AC 500V

3 Rated frequency 2GHz

4 Impedance 50Ω

5 Operating temperature range -40°C~+85°C





6 Operating humidity range 95%(Max.) ※No condensation



Test Items		Test Method/Value	Remarks
ELECTRICAL	1	Insulation resistance	1000MΩ(Min.) at DC 500V
	2	Withstanding voltage	1 minute at AC 1500V
	3	Contact resistance	Inner conductor : 1.5mΩ(Max.) Outer conductor : 1mΩ(Max.)
	4	V.S.W.R	DC~2GHz : 1.4(Max.)
MECHANICAL	5	Compatibility	No defects or abnormalities Connecting with a standard-compliant connector
	6	Center contact retaining force	0.98N(Min.) With a standard pin gauge
	7	Tensile strength of coupling mechanism	245N At axial tensile force
	8	Durability	500 matings
ENVIRONMENTAL	9	Corrosion resistance	JIS C 5402 7.1 Neutral 5% salt water performed for 48 hours There shall be no serious corrosion etc. on the appearance.

※The structural shape is shown in the attached drawing (Drawing number:S-0330475-2)

REVISIONS		DATE
1		
2		
3		

Checked	Approved	Inspected	Prepared
 三 24.03.05 村	 山 24.03.05 本	 檜 24.03.05 澤	 渡邊 24.03.05 直弘

GKQM-24