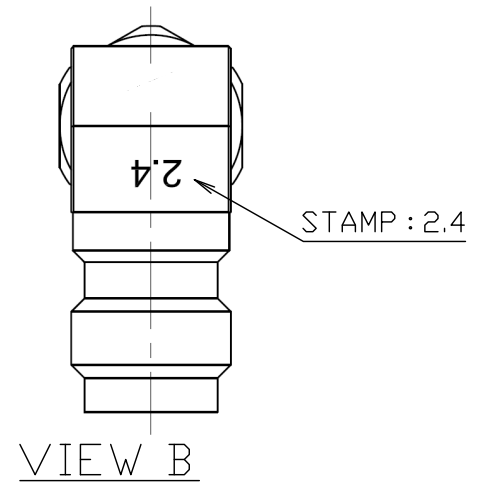
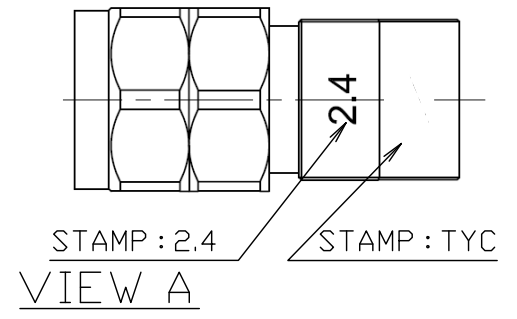
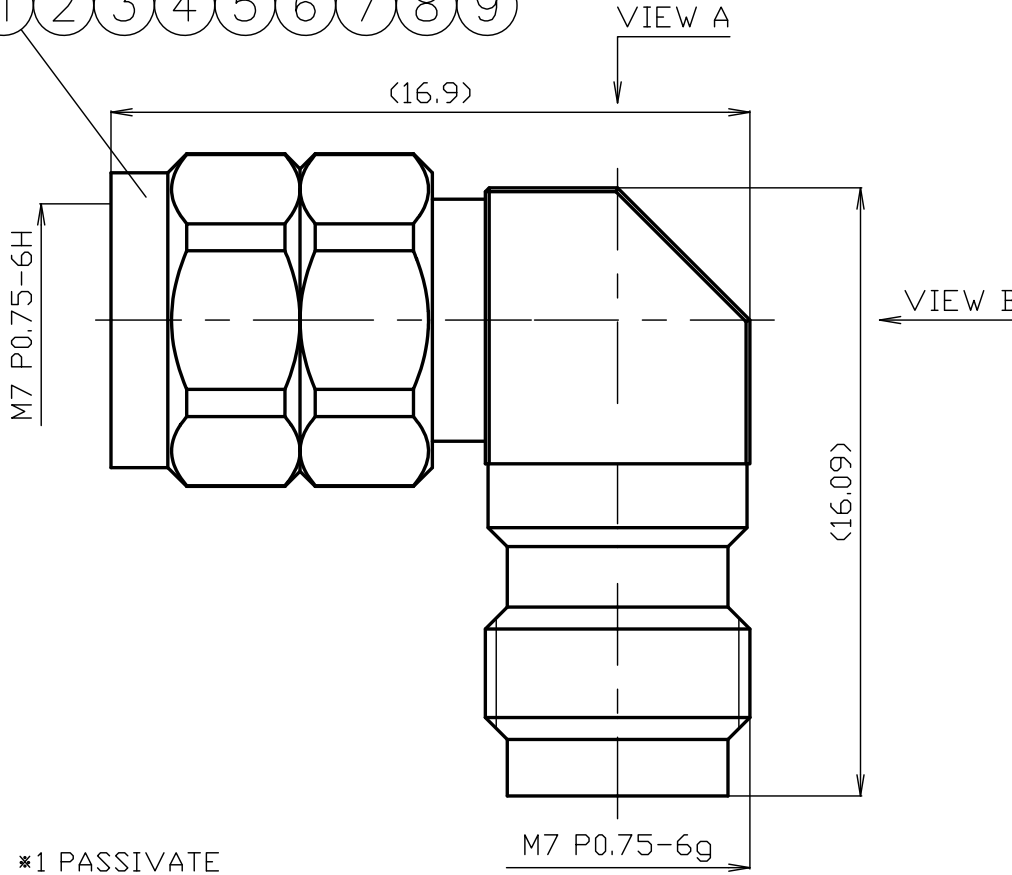


① ② ③ ④ ⑤ ⑥ ⑦ ⑧ ⑨



*1 PASSIVATE
*2 STAINLESS STEEL
*3 BERYLLIUM COPPER

NO.	DESCRIPTION	MATERIAL	Q'TY	FINISH	REMARK
9	BUSHING	*2	5	*1	
8	CENTER PIN C	*3	1	Au	
7	INSULATOR B	PEI	1	--	
6	CENTER PIN B	*3	1	Au	
5	INSULATOR A	PEI	1	--	
4	CENTER PIN A	*3	1	Au	
3	BODY	*2	1	*1	
2	HOLDING RING	*3	1	Ni	
1	COUPLING NUT	*2	1	*1	

SCALE 5/1
UNIT mm
DATE 2024.05.23

DRAWN	INSPECTED	APPROVED	CHECKED
井 '24,05,23 出	檜 '24,05,23 澤	山 '24,05,23 本	三 '24,05,23 村

PROJECTION

株式会社 トーコン
TO-CONN CO., LTD.

RoHS Compliant

PART NUMBER
2.4-LA-PJ
DRAWING NO. U-1046352

PRODUCT SPECIFICATIONS

Part number: 2.4-LA-PJ

No. 1042554

Drawing number: U-1046352

Nominal 1 Standard IEC 61169-40
 2 Voltage rating AC 160V
 3 Rated frequency 50GHz
 4 Impedance 50Ω
 5 Operating temperature range -40°C~+85°C



	Test Items	Test Method/Value	Remarks
1	E L E C T R I C A L	Insulation resistance	1000MΩ(Min.) at DC 500V
2		Withstanding voltage	1 minute at AC 500V
3		Contact resistance	Inner conductor : 4.0mΩ(Max.) Outer conductor : 2.5mΩ(Max.)
4		V.S.W.R	DC~50GHz : 1.35(Max.)
5	M E C H A N I C A L	Compatibility	No defects or abnormalities Connecting with a standard-compliant connector
6		Tensile strength of coupling mechanism	450N At axial tensile force
7		Center contact retaining force	0.25N(Min.) With a standard pin gauge
8		Coupling torque	0.8~1.1N·m
	O T H E R S		

※The structural shape is shown in the attached drawing (Drawing number:U-1046352)

	REVISIONS	DATE
1		
2		
3		

Checked	Approved	Inspected	Prepared
三 24.05.23 村	山 24.05.23 本	檜 24.05.23 澤	井 24.05.23 出

GKQM-24