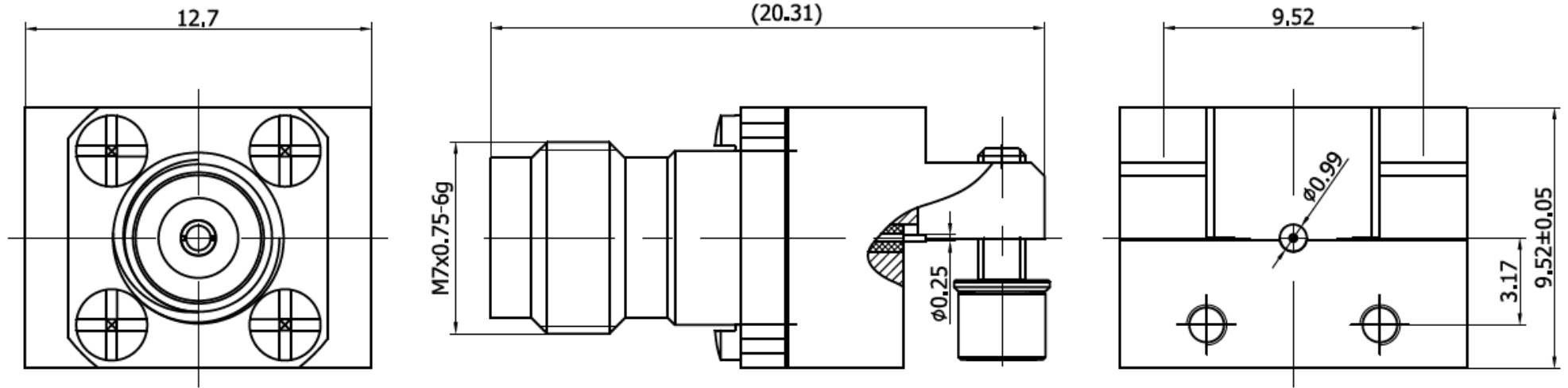


Reference Drawing



MATERIAL:

BODY: STAINLESS STEEL
 CONTACT: BERYLLIUM COPPER
 INSULATOR: PEI

PERFORMANCE:

IMPEDANCE: 50 OHMS
 FREQUENCY: DC TO 50 GHz
 VSWR: ≤1.35

R o H S Compliant $Cd \leq 75ppm$	
REMARKS	BRASS: $Cd \leq 75ppm$ PHOSPHOR BRONZE: $Pb < 4wt\%$

SCALE NONE		PART NUMBER
UNIT mm		2.4-EL
DATE 2025/04/23	PROJECTION 	TO-CONNE CO.,LTD