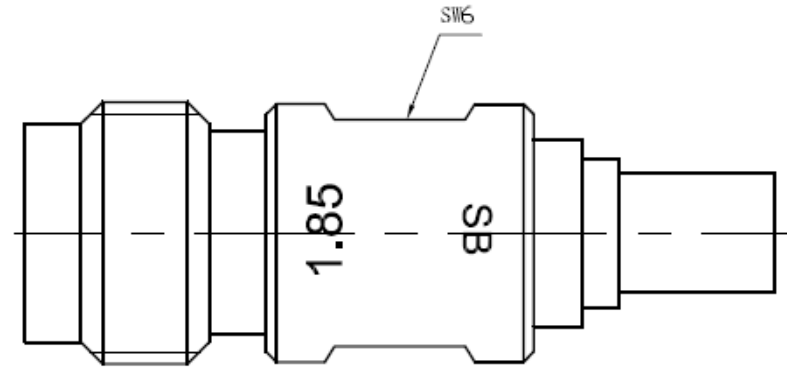
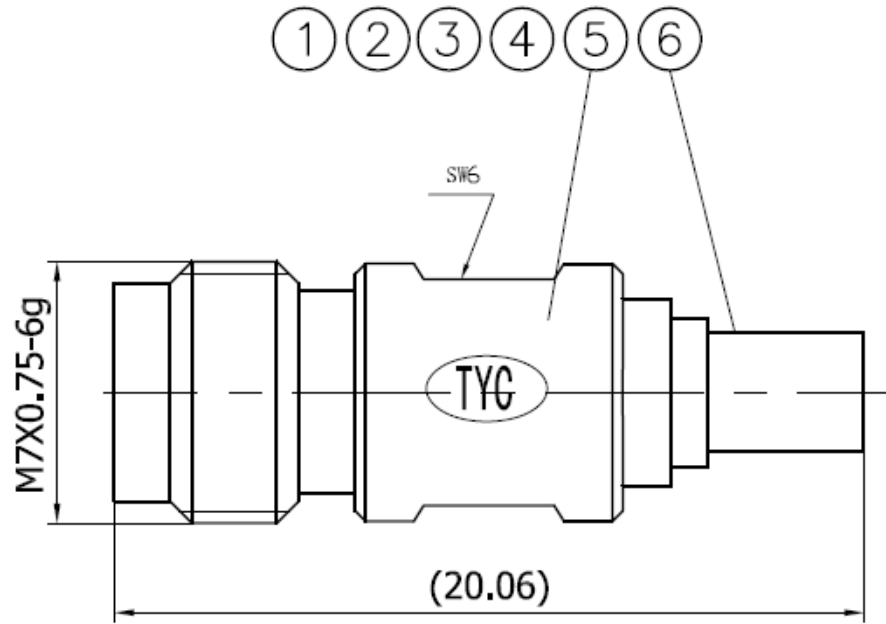


# Reference Drawing



PERFORMANCE:  
 IMPEDANCE: 50 OHMS  
 FREQUENCY: 65GHz  
 VSWR: ≤1.30

No.	DESCRIPTION	MATERIAL	Q'TY	FINISH
6	BODY	STAINLESS STEEL	1	PASSIVATE
5	BODY	STAINLESS STEEL	1	PASSIVATE
4	BUSHING	STAINLESS STEEL	1	PASSIVATE
3	BUSHING	STAINLESS STEEL	1	PASSIVATE
2	INSULATOR	PEI	2	--
1	CENTER PIN	BERYLLIUM COPPER	1	AU

R o H S Compliant <span style="border: 1px solid black; padding: 2px;">Cd ≤75ppm</span>	
REMARKS	BRASS: Cd ≤75ppm PHOSPHOR BRONZE: Pb <4wt%

SCALE NONE		PART NUMBER
UNIT mm		1.85J-A-SMPMP(SB)
DATE 2025/08/26	PROJECTION 	TO-CONNE CO.,LTD